

E1L Handheld Thermography Camera



The handheld thermography camera is based on the thermal technology, specially designed for the needs of temperature measuring applications. People can quickly troubleshoot faults on-site.

Key Feature

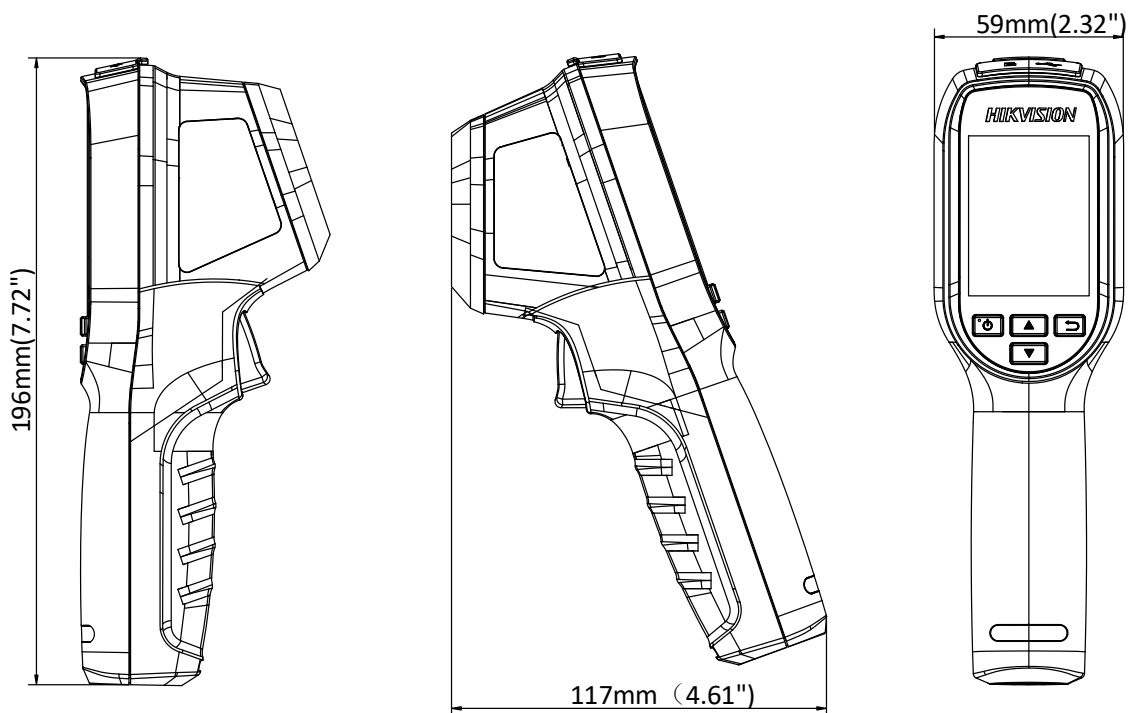
- Thermal resolution: 160 × 120 (19,200 pixels)
- NETD : < 40 mK (@ 25°C,F#=1.0)
- Measurement presets: center spot, hot spot, cold spot, off
- 8 GB SD card: 120,000 pictures
- Weight: 350 g (0.77 lb)

▪ Specification

Infrared Image	
IR Resolution	160 × 120 (19,200 pixels)
NETD	< 40 mK (@ 25°C, F#=1.0)
Image Frequency	25 Hz
Detector Pitch	17 μm
Spectral Range	7.5 to 14 μm
Focal Length	3.1 mm
F-number	F1.1
Field of View (FOV)	37.2° × 50.0°
Spatial Resolution (IFOV)	5.48 mrad
Min. Focus Distance	0.15 m (0.49 ft)
Focus Mode	Focus Free
Image Display	
Display	240 × 320 Resolution, 2.4" LCD Screen
Color Palettes	White Hot, Black Hot, Rainbow, Ironbow
Measurement and Analysis	
Object Temperature Range	-20°C to 550°C (-4°F to 1022°F)
Accuracy	Max (±2°C/3.6°F, ±2%), for ambient temperature 15°C to 35°C (59°F to 95°F) and object temperature above 0°C (32°F)
Measurement Tools	Center Spot, Hot Spot, Cold Spot
Level and Span Mode	Auto
Data Storage and Communication	
Storage Media	Removable 8 GB Micro SD Card
Image Storage Capacity	Approx. 120,000 Images
General	
USB Interface	Micro USB
Laser	Yes, Class II
Battery Type	Rechargeable Li-ion battery
Battery Charging Time	Approx. 4 hours fully charged
Battery Operating Time	Approx. 8 hours
Protection Level	IP54
Drop Test Height	2 m (6.56 ft)
Working Temperature Range	-20°C to 50°C (-4°F to 122°F)
Storage Temperature Range	-20°C to 60°C (-4°F to 140°F)
Relative Humidity	< 95% non-condensing
Weight	Approx. 350 g (0.77 lb)
Dimension	196 × 117 × 59 mm (7.7 × 4.6 × 2.3 in)
Tripod Mounting	UNC ¼"-20

▪ Available Model

E1L

▪ Dimension

Unit: mm (inch)

▪ Optional Accessories**Tripod Mounting Bracket**

HM-2925ZJ-TM01-BRACKET

**POUCH**

HM-B01-POUCH

COMPLIANCE NOTICE: The thermal series products might be subject to export controls in various countries or regions, including without limitation, the United States, European Union, United Kingdom and/or other member countries of the Wassenaar Arrangement. Please consult your professional legal or compliance expert or local government authorities for any necessary export license requirements if you intend to transfer, export, re-export the thermal series products between different countries.

Per maggiori informazioni contattare:

INPROTEC IRT**INPROTEC IRT S.r.l.** Via Bizet, 44 - 20092 Cinisello Balsamo (MI)

Tel. 02-66.59.59.77

e-mail: infrared@inprotec-irt.it web: www.inprotec-irt.itwww.hikmicrotech.com